



**ELECTRIC DRIVE
ENGINEERING**

MOTENERGY ME1718

Air-cooled brushless motor/generator



Permanent Magnet Synchronous Motor

Air-cooled

IP65

Available with Motor Controller



TECHNICAL DATA

Nominal Operation (at 60V DC battery)

Torque (Continuous)	16 Nm
Torque (Peak)	25 Nm
Power (Continuous)	6 kW
Power (Peak)	12 kW
Loaded Speed	4000 RPM
Max Speed	5400 RPM
Current (Continuous)	140 A
Current (Peak)	190 A

Electrical Data

Number of Phases	3
Number of Pole Pairs	5
Maximum Efficiency	90%
Torque Constant	0.11 Nm/A
Voltage Constant	0.0126 (V/RPM)

Additional Data

Weight (w/o cables)	13.8 kg
Protection Category	IP65
Temperature Sensor	KTY84-130
Encoder	Sin/Cos 5V

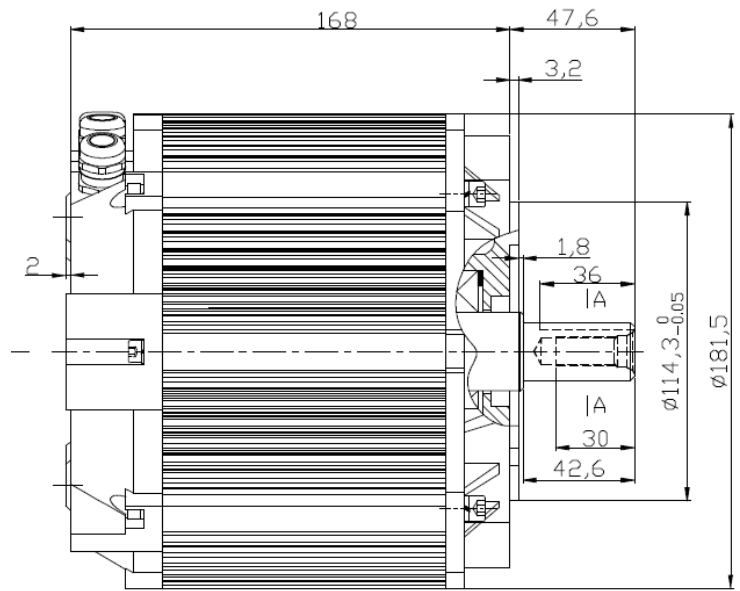
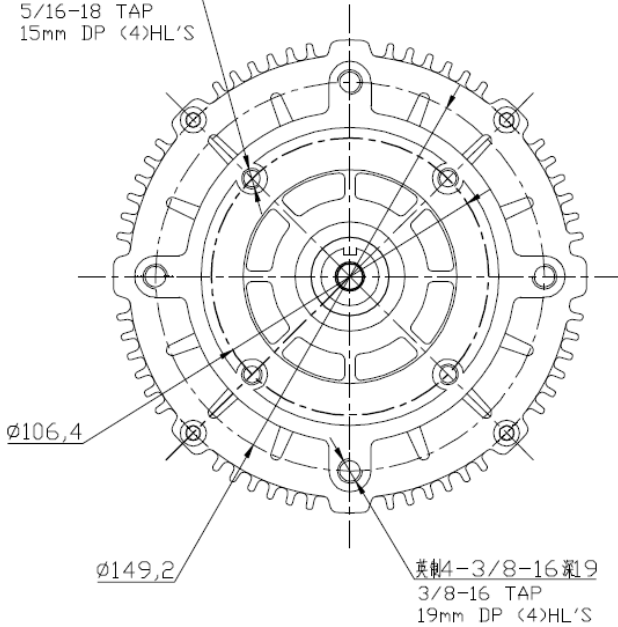
Connectors

Phase Cables	3x 16mm ²
Signal Connectors	8-pin Metri-Pack 150 Series (12047937)

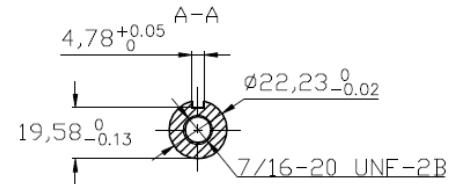
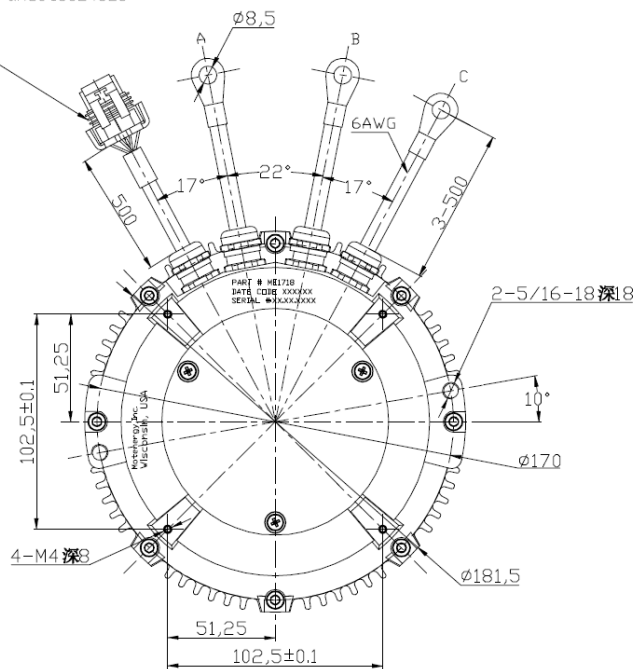


TECHNICAL DRAWINGS

英制4-5/16-18深15
5/16-18 TAP
15mm DP (4)HL'S



8 pin Metri-pack 150 series
Connector: i2047937
Terminal Position Assurance: i5324525
Terminal: i2084200
Cable Seal: i5324973
Seal: i2059168-B



Pin Location	Wire Designation	Wire Colour
A	Cosine	White
B	Sine	Blue
C	Ground	Black
D	N/C	
E	V _{dd} (+5V)	Red
F	Shield	Green
G	Temp1	Yellow (-)
H	Temp2	Yellow (+)



PERFORMANCE PLOT

